

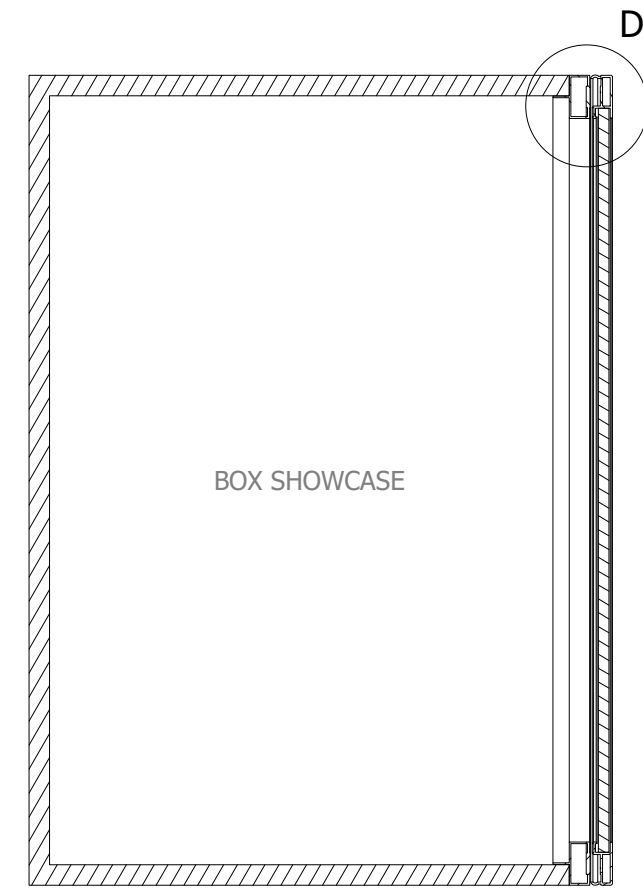
TASHCO PROPRIETARY SYMPHONY 40 SHOWCASE SYSTEM

- SHOWCASE FRONT FOR INTEGRATION INTO ALMOST ANY NEW OR EXISTING JOINERY
- UV PROTECTIVE LOW IRON LAMINATED OR TOUGHENED MUSEUM GRADE GLASS
- MUSEUM GRADE SILICON SEALS LIMITING THE AIR EXCHANGE RATE
- DISCRETE HINGES FOR > 90-DEGREE ACCESS TO THE INTERIOR
- ASSA ABLOY PROTEC LOCKING SYSTEM
- SPECIALLY EXTRUDED ALUMINIUM SECTIONS WITH LOW VOC PAINT OR POWDER COAT FINISH
- CONCEALED LED LOW VOLTAGE STRIP LIGHTING AVAILABLE

Front Elevation

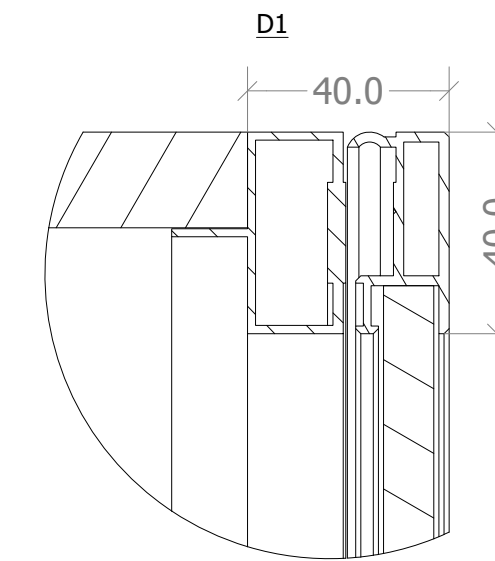


X-X



BOX SHOWCASE

D1

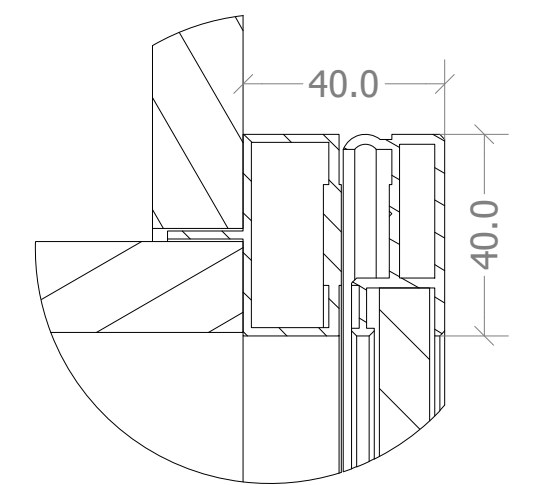


D1

40.0

40.0

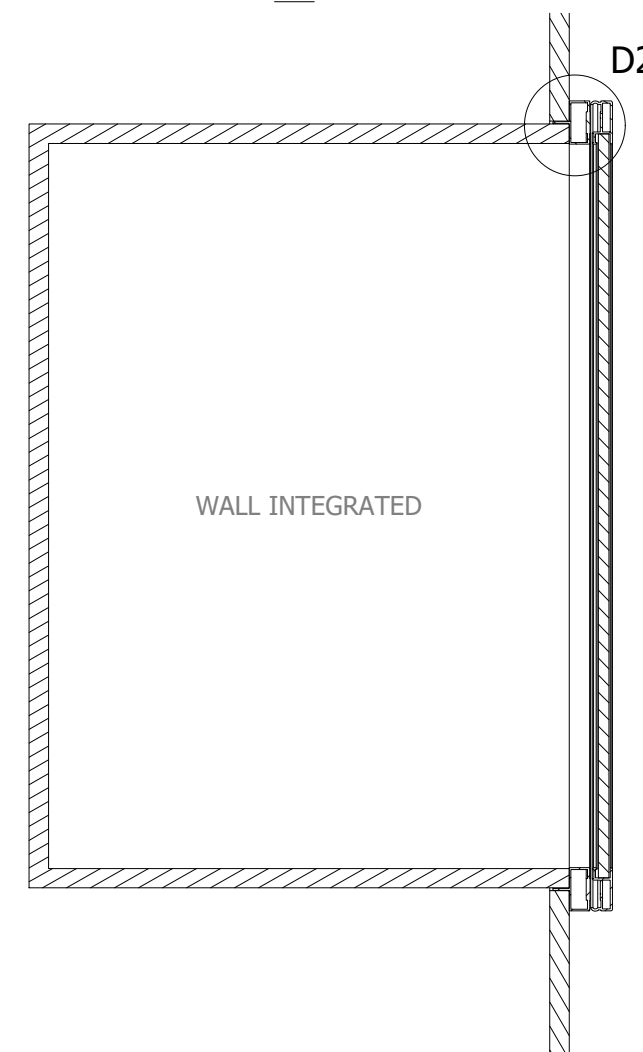
D2



Plan



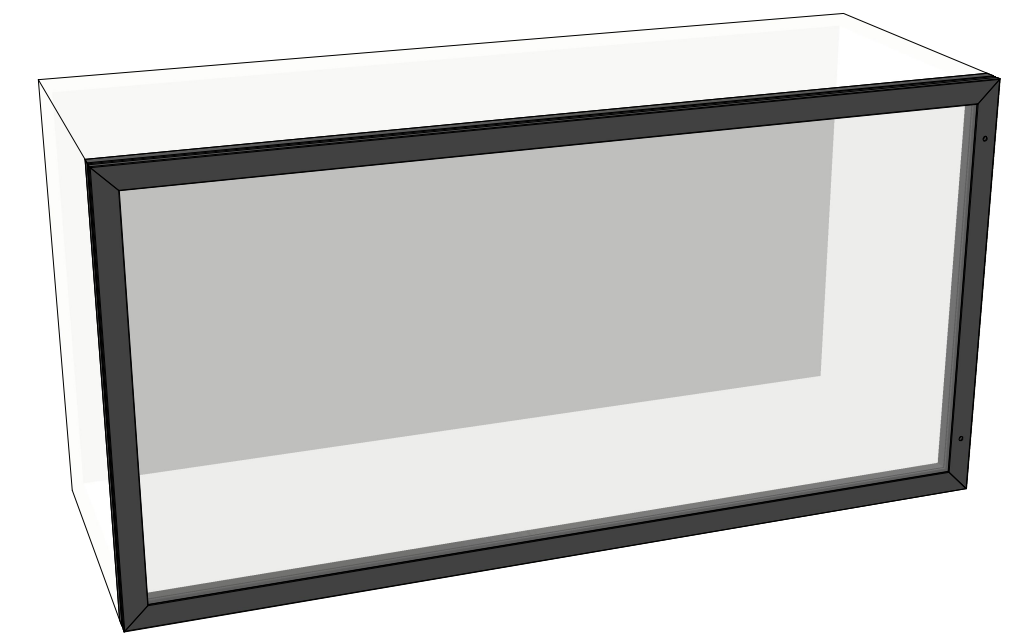
X-X



WALL INTEGRATED

D2

3D Perspective



Client	Project	Status	Revision	Date
-	Tashco Showcase Systems	-	-	15/01/2024
Show Works 1-11 Bellevue Crescent Preston VIC 3072 Phone 03 9416 9611 E Mail info@showworks.com.au Web www.showworks.com.au		Title Symphony 40 System		
Drawn by	Checked by	Job number	Sheet Size	Sheet
mm	jm	-	A2	1 / 1